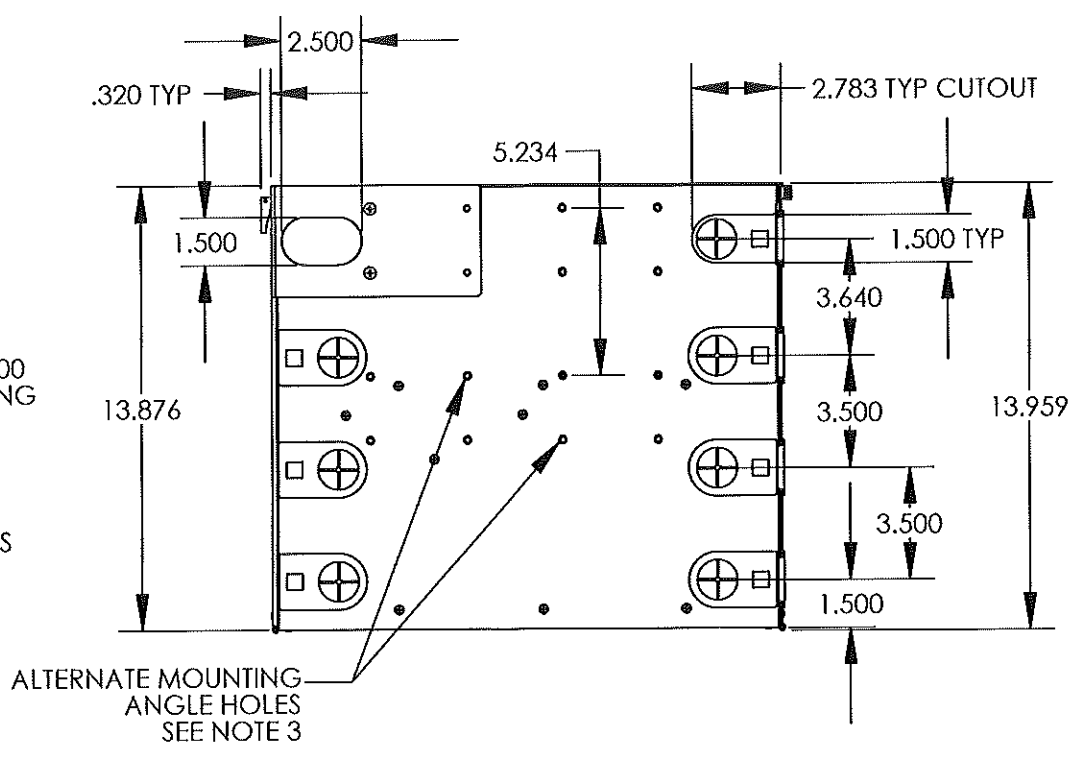
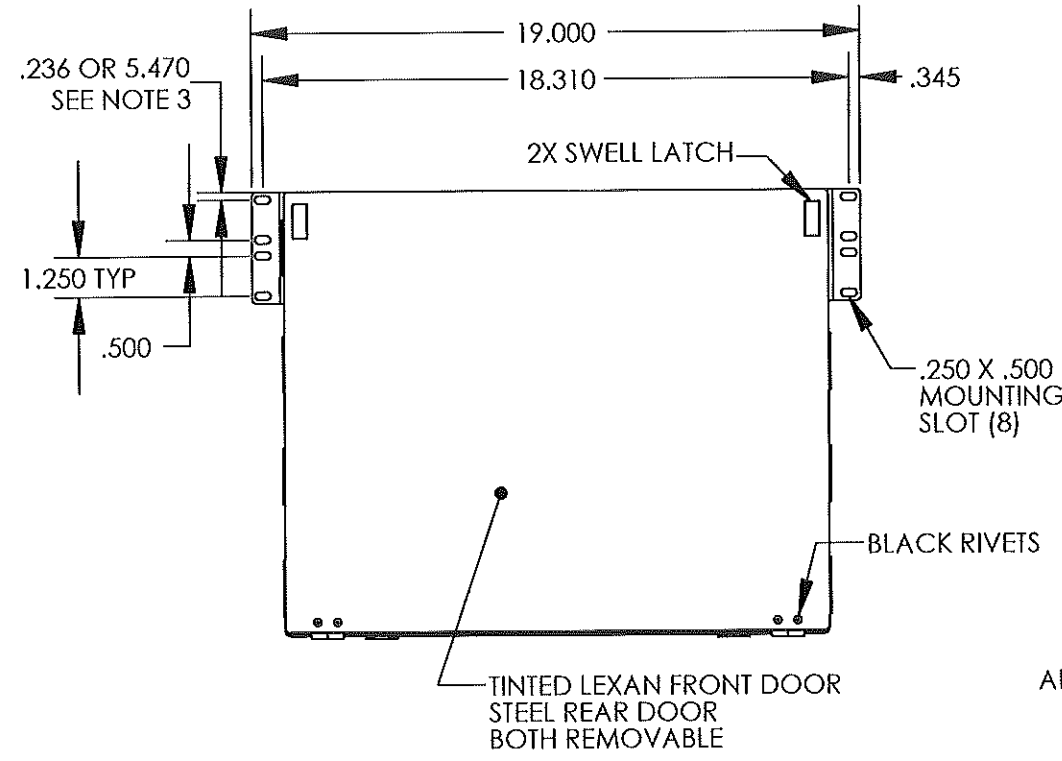
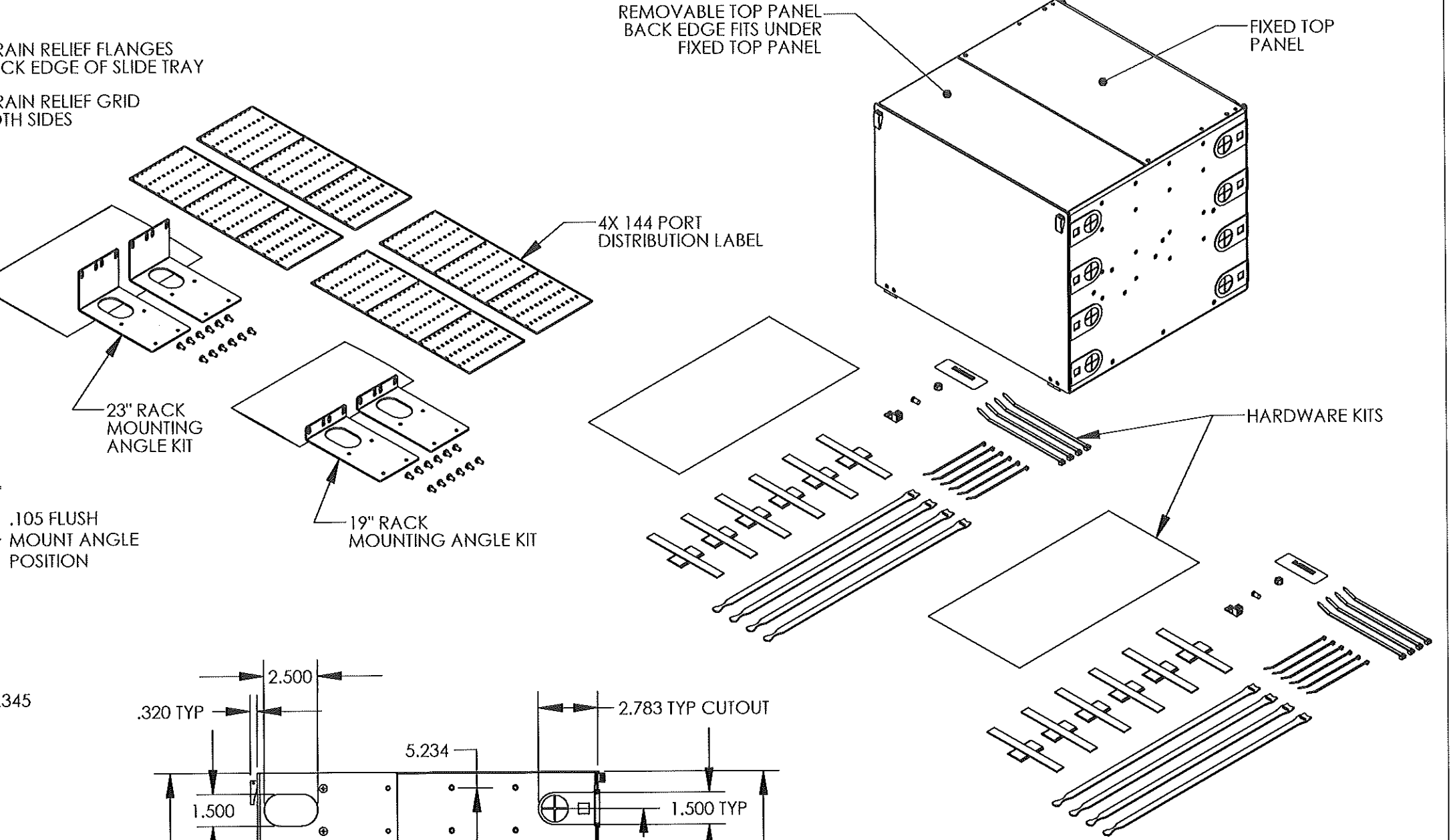
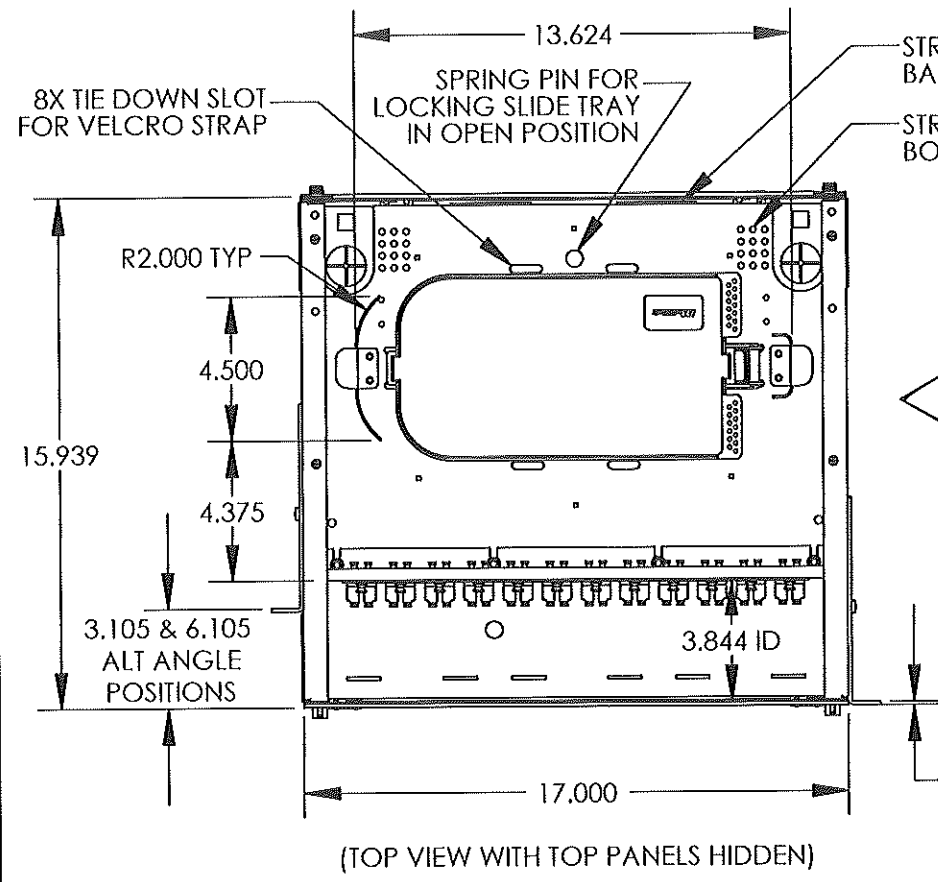


REV.	ECN #	DESCRIPTION OF CHANGE	DATE	BY	MFG ENG
01	N/A	INITIAL RELEASE	03/16/11	SAB	
02	2798	UPDATE REV FOR PAINT/PEM SPLIT	10/01/12	SAB	

- NOTES:
 1. SPLICE TRAYS AND ADAPTER PANELS SHOWN FOR REFERENCE ONLY.
 2. MOUNTING ANGLES ARE PROVIDED FOR 19 OR 23 INCH RACK, 19 INCH SHOWN.
 3. MOUNTING ANGLES CAN BE LOCATED ALONG TOP AS SHOWN, OR IN CENTER OF SIDES.



UNLESS OTHERWISE SPECIFIED DIMENSIONS ARE IN INCHES TOLERANCES ARE:
 FRACTIONS: ±1/32 DECIMALS: .XX=±.03 .XXX=±.010 ANGLES: ±1°
 ALL FLATS TO BE ±.005
NO SHARP EDGES OR BURRS ALLOWED
 MATERIAL: SEE B.O.M.
 FINISH: BLACK TEXTURED
 DO NOT SCALE DRAWING

THIS DOCUMENT AND THE INFORMATION CONTAINED HEREIN ARE CONFIDENTIAL & PROPRIETARY TO MULTILINK AND MAY NOT BE COPIED OR DISCLOSED TO OTHERS WITHOUT A WRITTEN CONSENT FROM MULTILINK. THE INFORMATION IS TO BE PROMPTLY RETURNED TO MULTILINK UPON REQUEST.

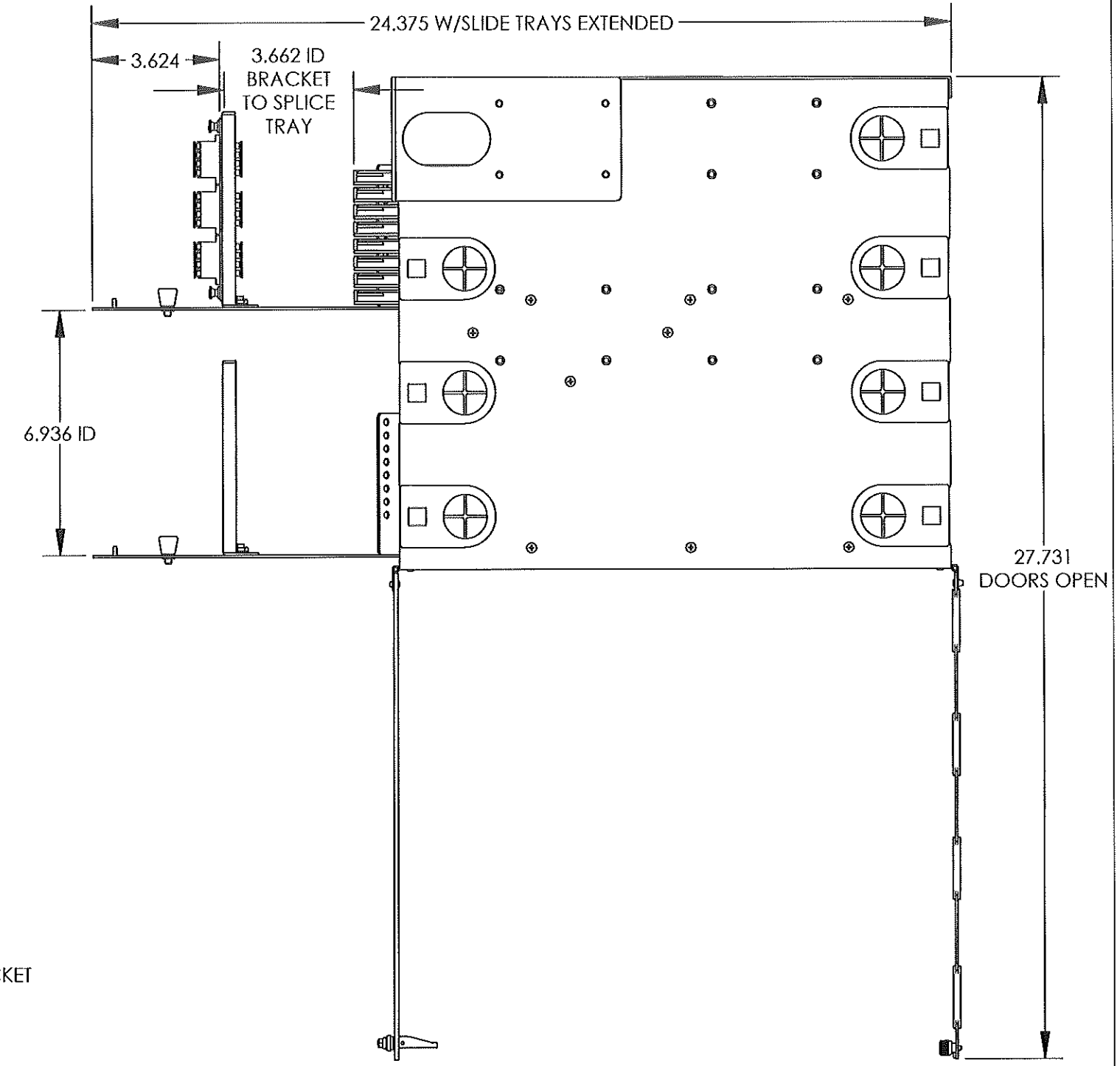
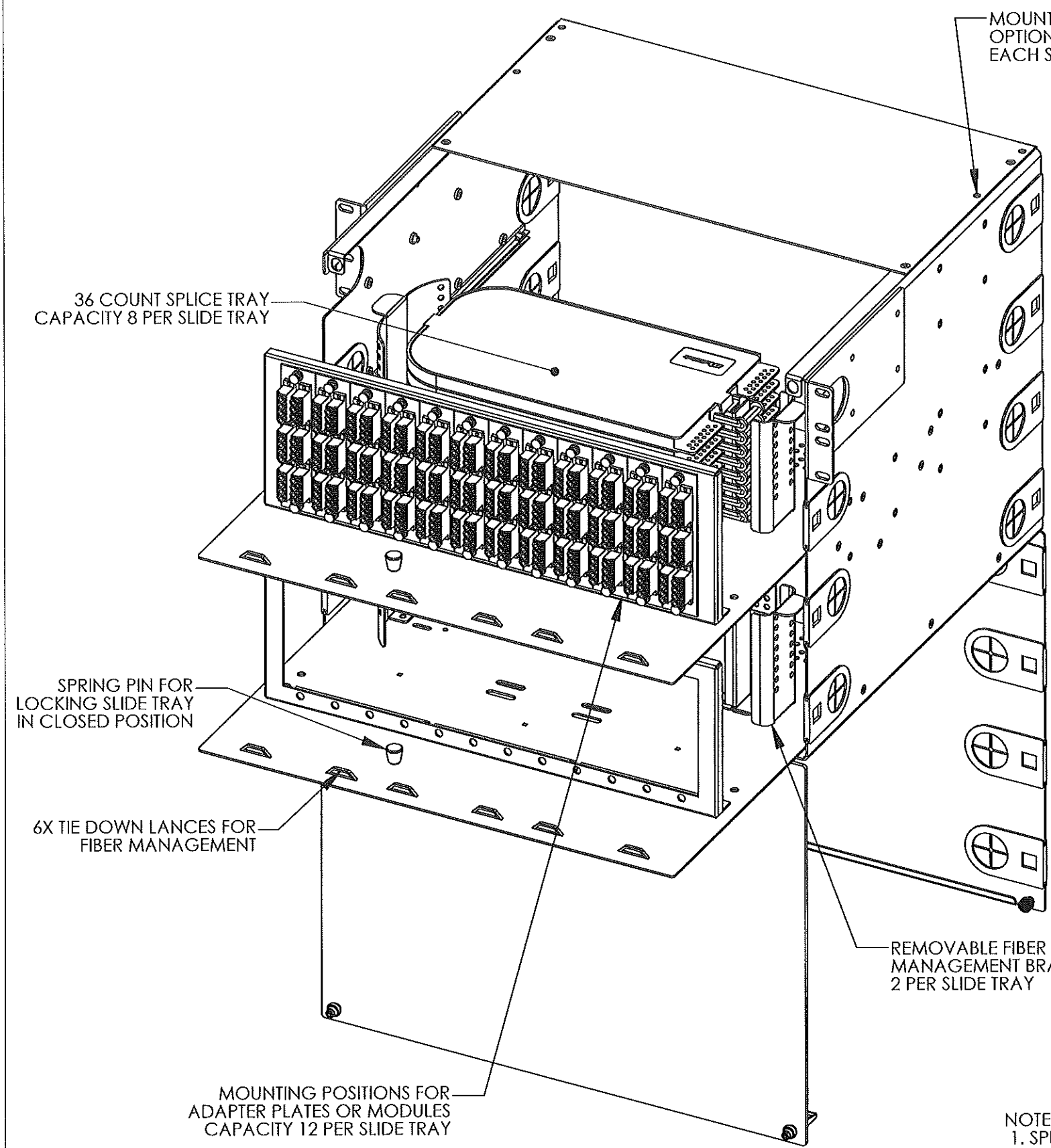
DRAWN BY: SAB DATE: 03/16/2011
 CHECKED: DATE:
 MFG ENG: DATE:
 QUALITY ENG: DATE:

Multilink

FRM-8RU-24X-TS-HD BK

SIZE **B** DWG. NO. 045-583-10REF REV. 02
 SCALE: 1/6 CAD FILE: 045-583-10REF SHEET: 1 OF 2

REV.	ECN #	DESCRIPTION OF CHANGE	DATE	BY	MFG ENG
01	N/A	INITIAL RELEASE	03/16/11	SAB	
02	2798	UPDATE REV FOR PAINT/PEM SPLIT	10/01/12	SAB	



NOTES:
 1. SPLICE TRAYS AND ADAPTER PANELS SHOWN FOR REFERENCE ONLY.
 2. TOP SHELF SHOWN LOADED.

UNLESS OTHERWISE SPECIFIED DIMENSIONS ARE IN INCHES TOLERANCES ARE: FRACTIONS: ±1/32 DECIMALS: .XX=±.03 ANGLES: ±1° .XXX=±.010 ALL FLATS TO BE ±.005		THIS DOCUMENT AND THE INFORMATION CONTAINED THEREIN ARE CONFIDENTIAL & PROPRIETARY TO MULTILINK AND MAY NOT BE COPIED OR DISCLOSED TO OTHERS WITHOUT A WRITTEN CONSENT FROM MULTILINK. THE INFORMATION IS TO BE PROMPTLY RETURNED TO MULTILINK UPON REQUEST.	Multilink	
NO SHARP EDGES OR BURRS ALLOWED			FRM-8RU-24X-TS-HD BK	
MATERIAL: SEE B.O.M.	DRAWN BY: SAB	DATE: 03/16/2011	SIZE: B	DWG. NO. 045-583-10REF
FINISH: BLACK TEXTURED	CHECKED:	DATE:	SCALE: 1:4	CAD FILE: 045-583-10REF
DO NOT SCALE DRAWING	MFG ENG:	DATE:	REV. 02	SHEET: 2 OF 2
	QUALITY ENG:	DATE:		