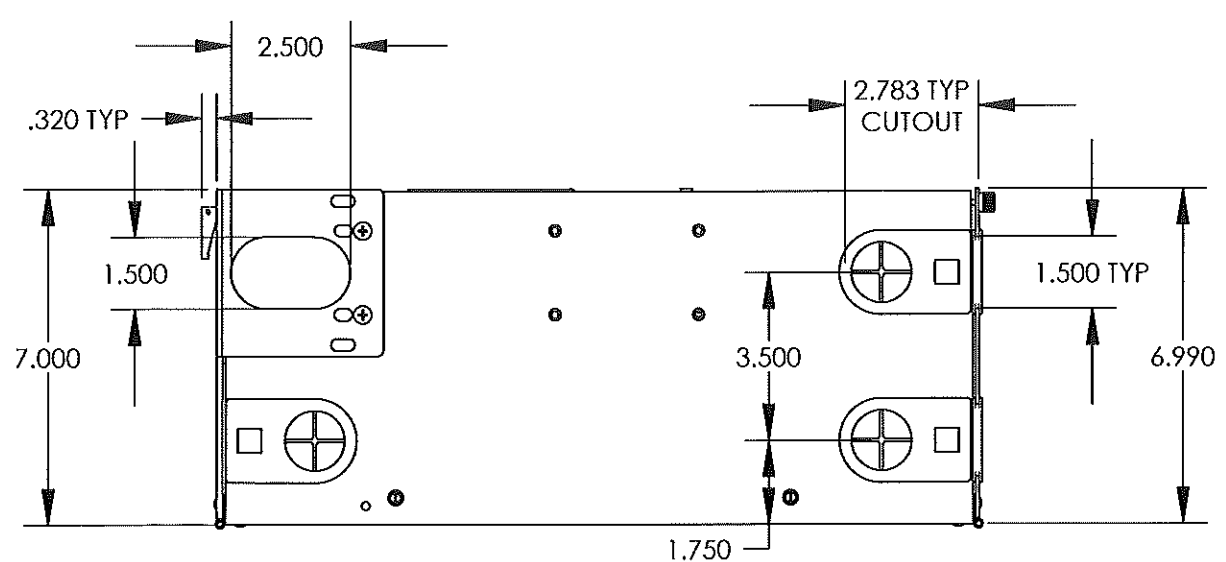
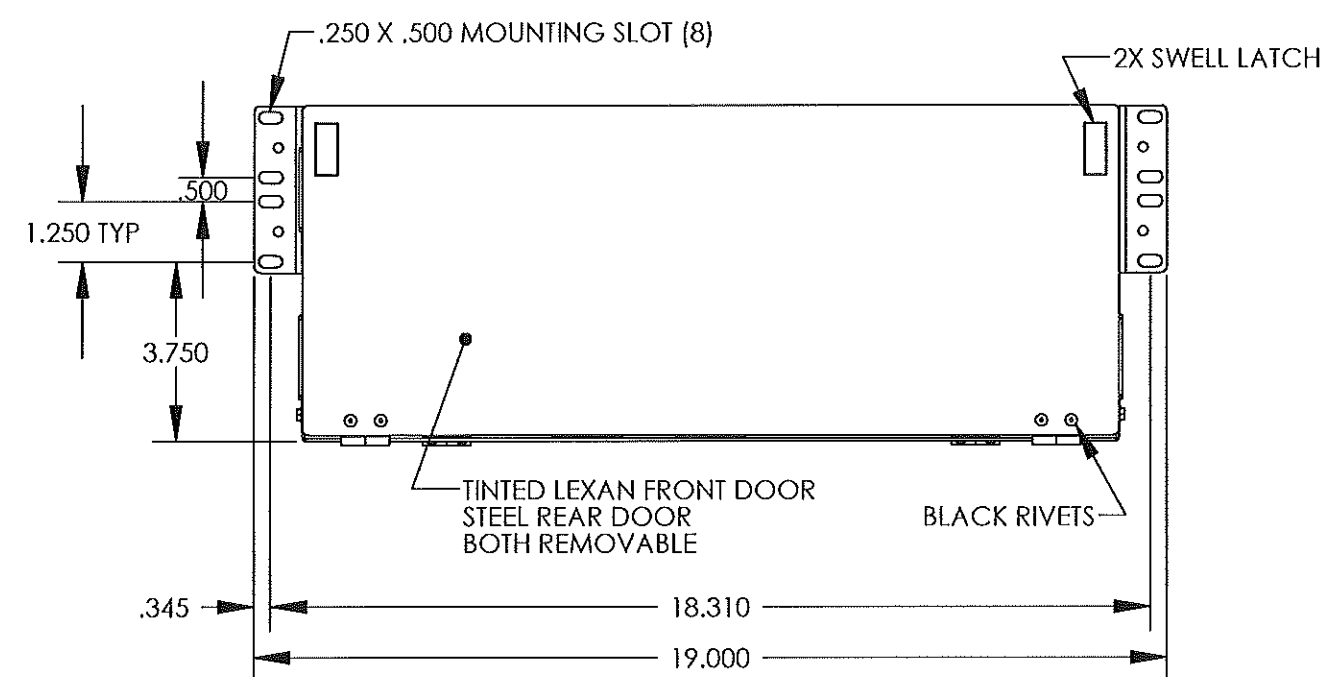
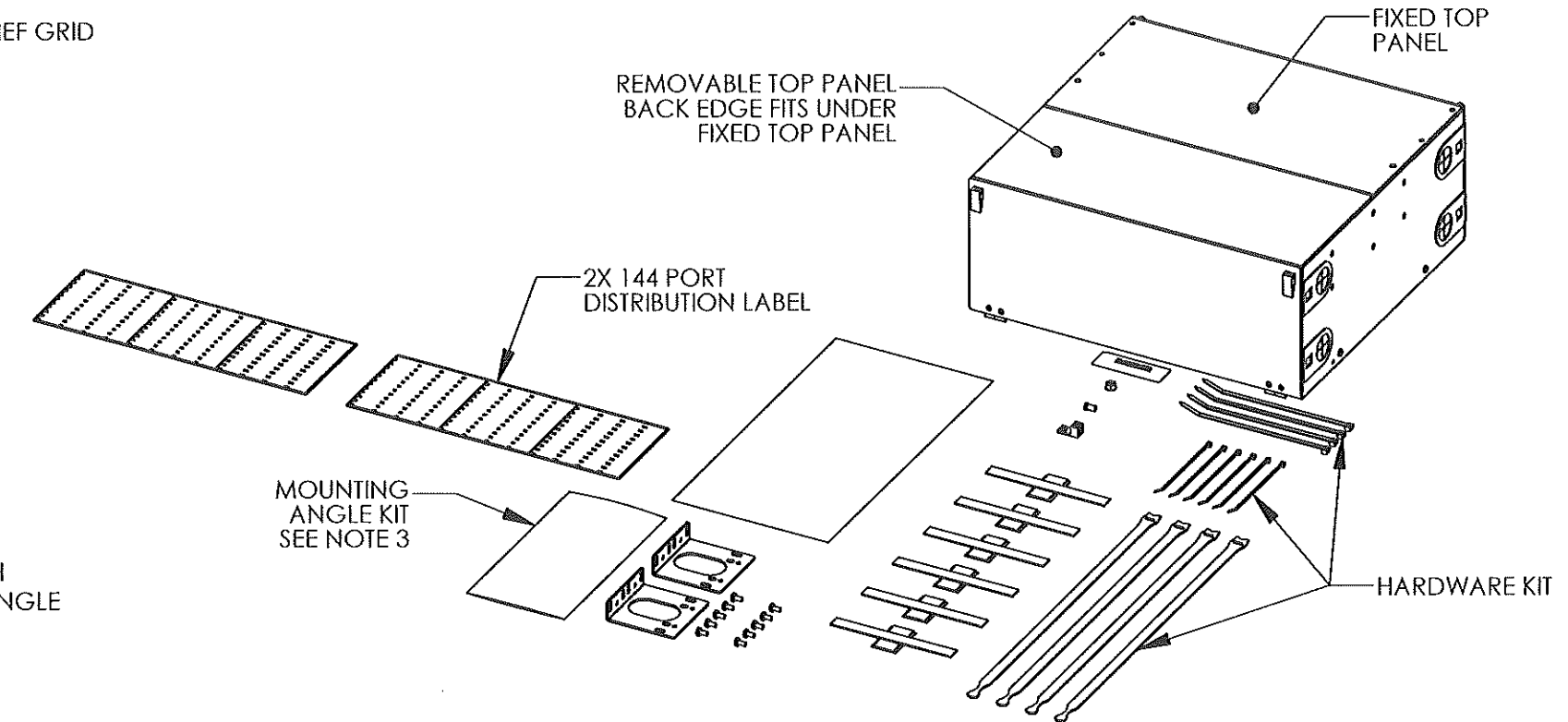
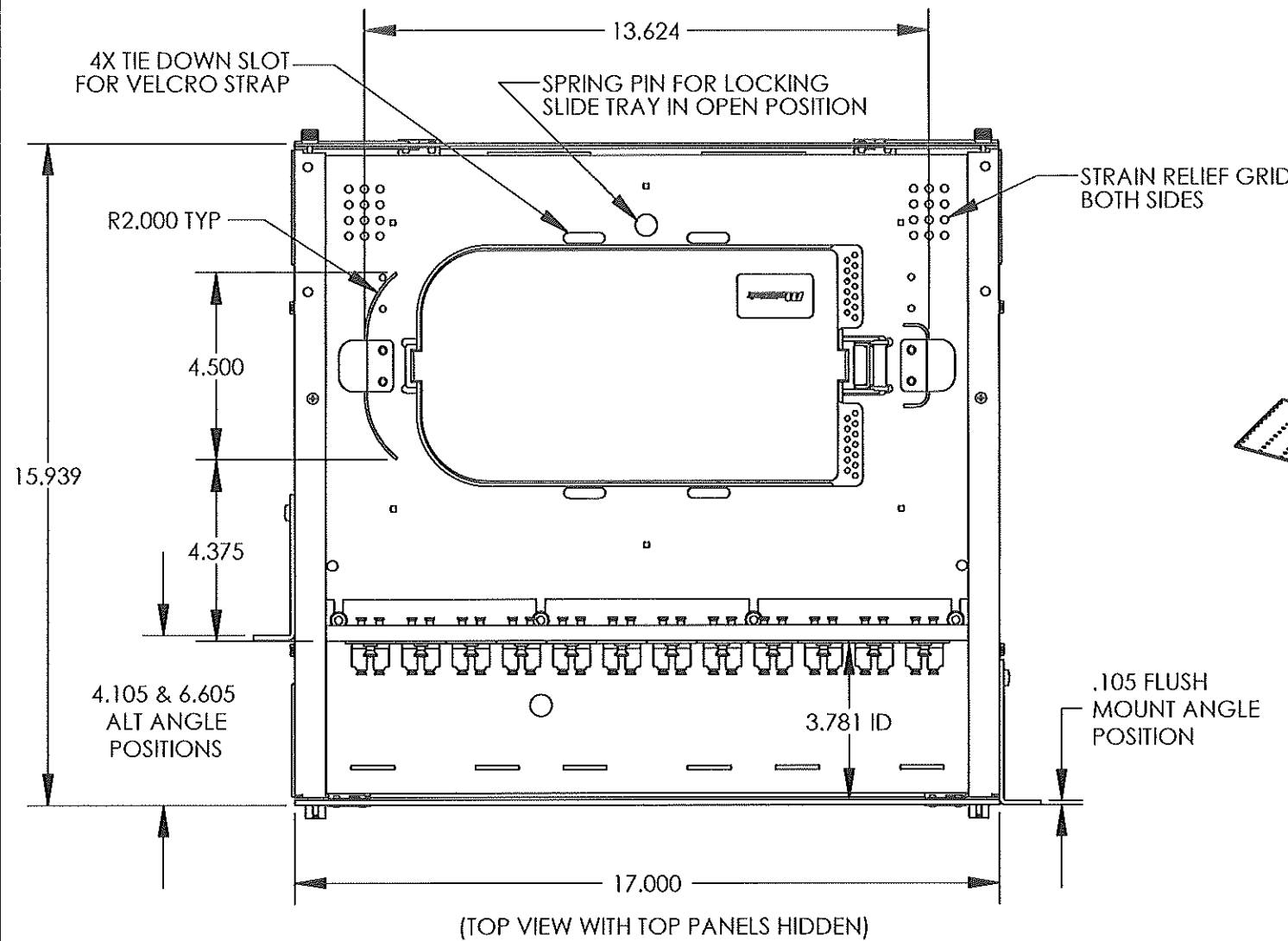


REV.	ECN #	DESCRIPTION OF CHANGE	DATE	BY	MFG ENG
01	N/A	INITIAL RELEASE	05/05/10	SAB	
03	N/A	UPDATED DRAWING	07/06/12	SAB	
04	2798	UPDATE REV FOR PAINT/PEM SPLIT	10/01/12	SAB	



- NOTES:
1. SPLICE TRAYS AND ADAPTER PANELS SHOWN FOR REFERENCE ONLY.
 2. ALSO AVAILABLE IN OFF-WHITE P/N 045-391-11.
 3. MOUNTING ANGLES ARE CONFIGURABLE FOR 19 OR 23 INCH RACK, 19 INCH SHOWN.

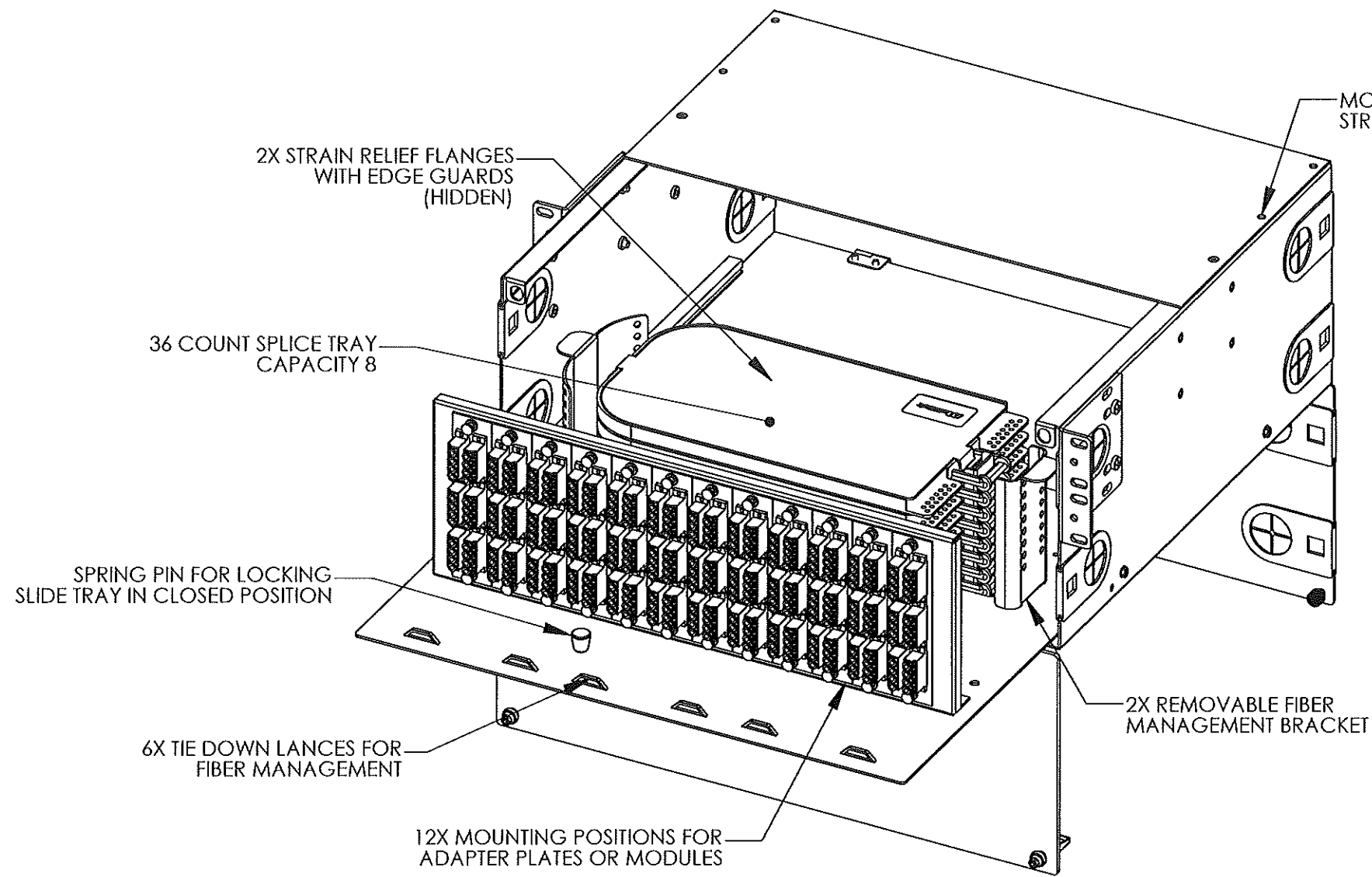
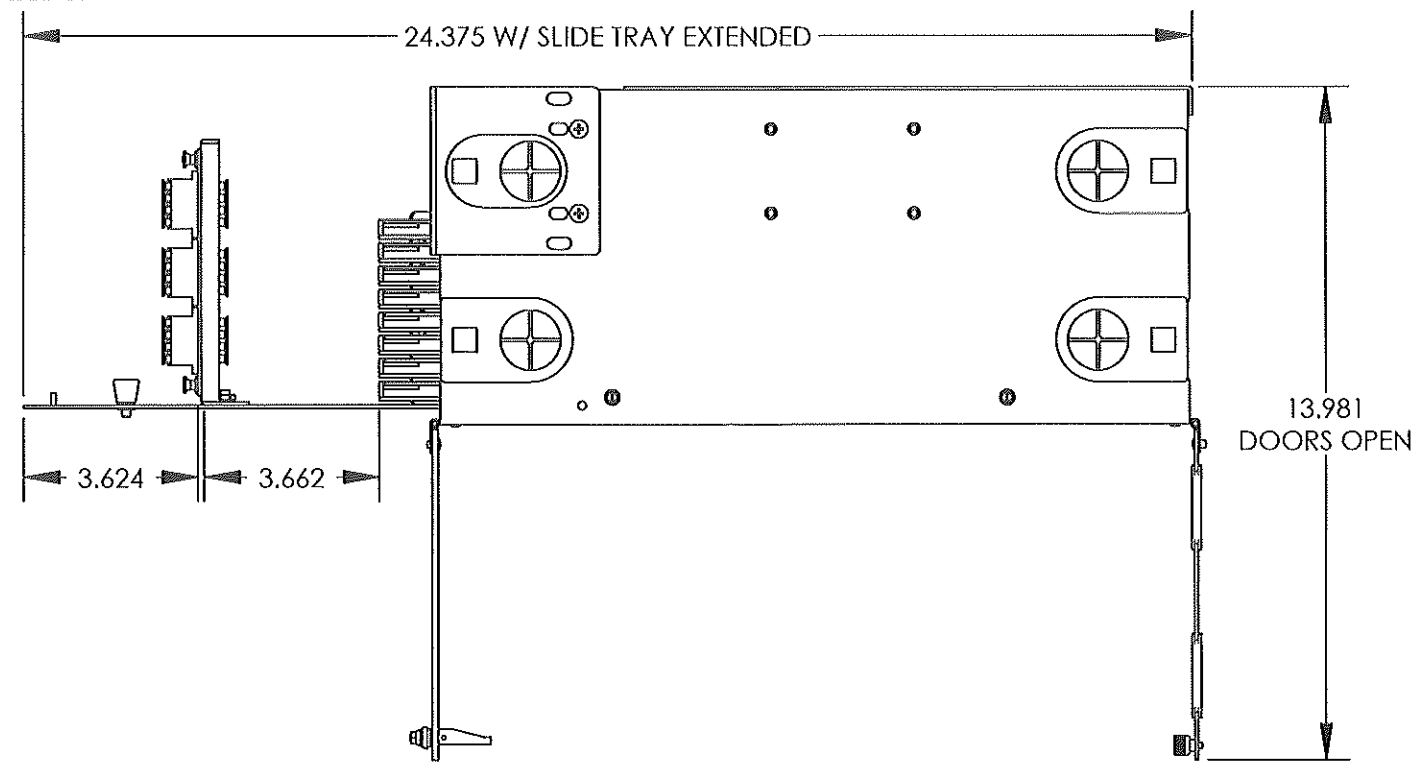
UNLESS OTHERWISE SPECIFIED DIMENSIONS ARE IN INCHES TOLERANCES ARE:		THIS DOCUMENT AND THE INFORMATION CONTAINED THEREIN ARE CONFIDENTIAL & PROPRIETARY TO MULTILINK AND MAY NOT BE COPIED OR DISCLOSED TO OTHERS WITHOUT A WRITTEN CONSENT FROM MULTILINK. THE INFORMATION IS TO BE PROMPTLY RETURNED TO MULTILINK UPON REQUEST.	
FRACTIONS: ±1/32	DECIMALS: .XX=±.03 .XXX=±.010	ANGLES: ±1°	
ALL FLATS TO BE ±.005		NO SHARP EDGES OR BURRS ALLOWED	
MATERIAL: SEE B.O.M.	FINISH: BLACK TEXTURED	DO NOT SCALE DRAWING	
DRAWN BY: SAB	DATE: 05/05/2010	CHECKED:	DATE:
MFG ENG:	DATE:	QUALITY ENG:	DATE:

Multilink

FRM-4RU-12X-TS-HD BK

SIZE B	DWG. NO. 045-391-10REF	REV. 04
SCALE: 1:4	CAD FILE: 045-391-10REF	SHEET: 1 OF 2

REV.	ECN #	DESCRIPTION OF CHANGE	DATE	BY	MFG ENG
01	N/A	INITIAL RELEASE	05/05/10	SAB	
03	N/A	UPDATED DRAWING	07/06/12	SAB	
04	2798	UPDATE REV FOR PAINT/PEM SPLIT	10/01/12	SAB	



- NOTES:
1. SLICE TRAYS AND ADAPTER PANELS SHOWN FOR REFERENCE ONLY.
 2. ALSO AVAILABLE IN OFF-WHITE P/N 045-391-11.

UNLESS OTHERWISE SPECIFIED DIMENSIONS ARE IN INCHES TOLERANCES ARE: FRACTIONS: DECIMALS: ANGLES: ±1/32 .XX=±.03 ±1° .XXX=±.010		THIS DOCUMENT AND THE INFORMATION CONTAINED THEREIN ARE CONFIDENTIAL & PROPRIETARY TO MULTILINK AND MAY NOT BE COPIED OR DISCLOSED TO OTHERS WITHOUT A WRITTEN CONSENT FROM MULTILINK. THE INFORMATION IS TO BE PROMPTLY RETURNED TO MULTILINK UPON REQUEST.	Multilink	
ALL FLATS TO BE ±.005			FRM-4RU-12X-TS-HD BK	
NO SHARP EDGES OR BURRS ALLOWED		DRAWN BY: SAB	DATE: 05/05/2010	
MATERIAL: SEE B.O.M.		CHECKED:	DATE:	
FINISH: BLACK TEXTURED		MFG ENG:	DATE:	
DO NOT SCALE DRAWING		QUALITY ENG:	DATE:	
SIZE B	DWG. NO. 045-391-10REF	REV. 04	SCALE: 1:4 CAD FILE: 045-391-10REF SHEET: 2 OF 2	