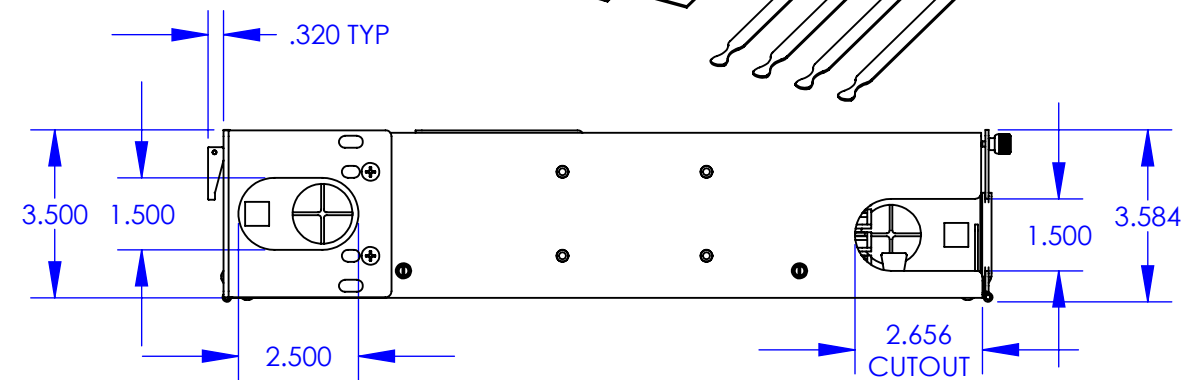
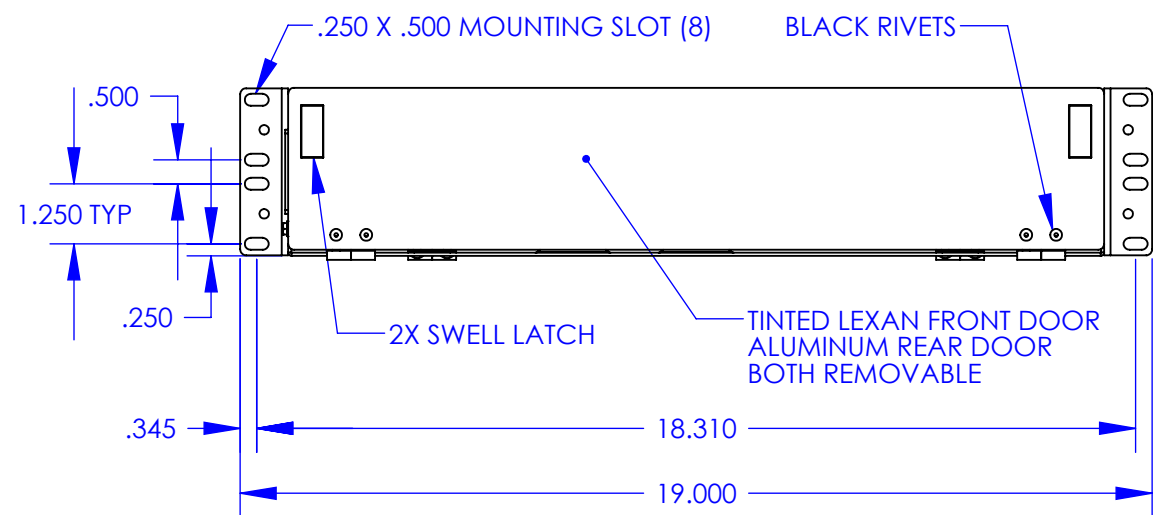
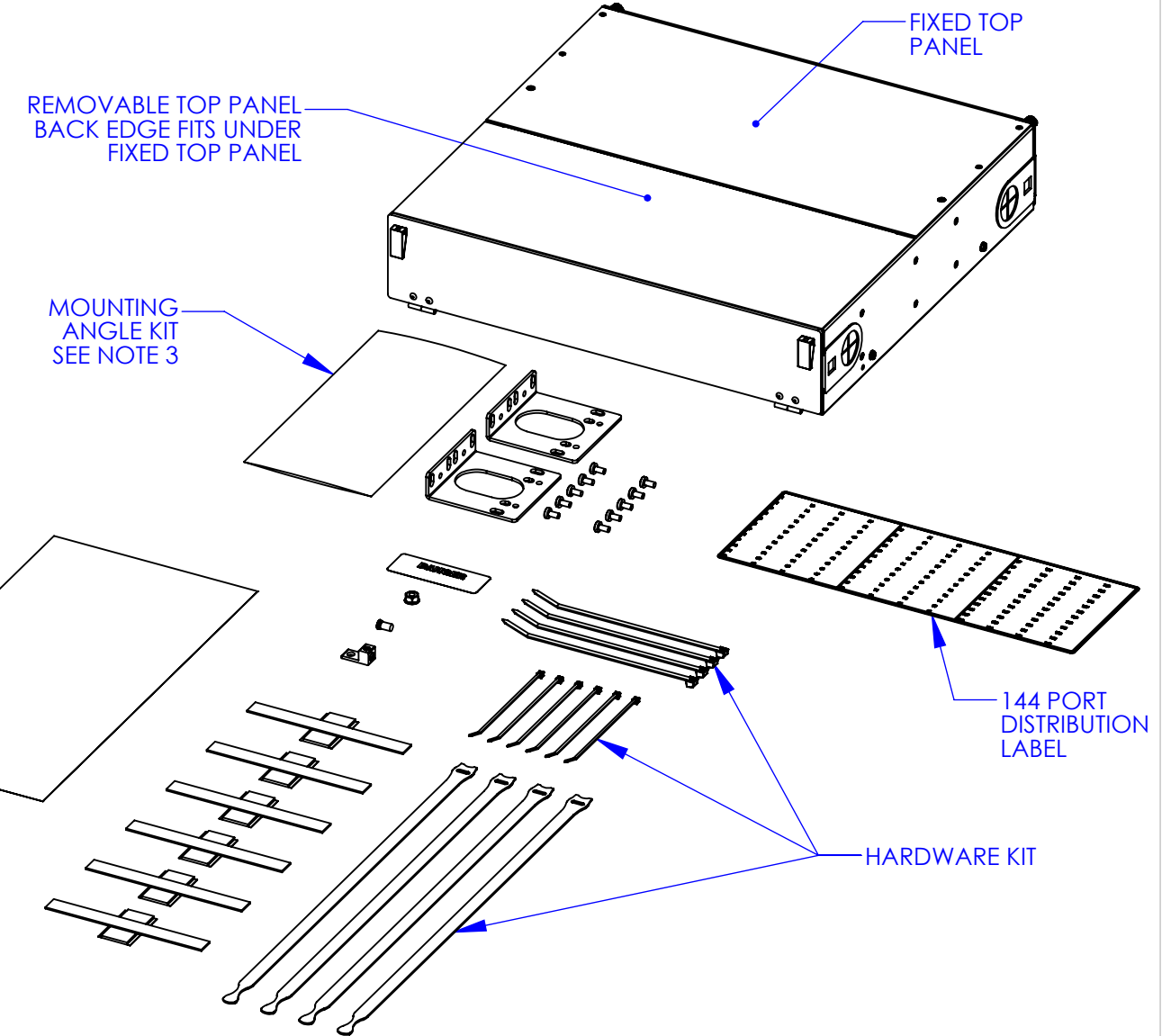
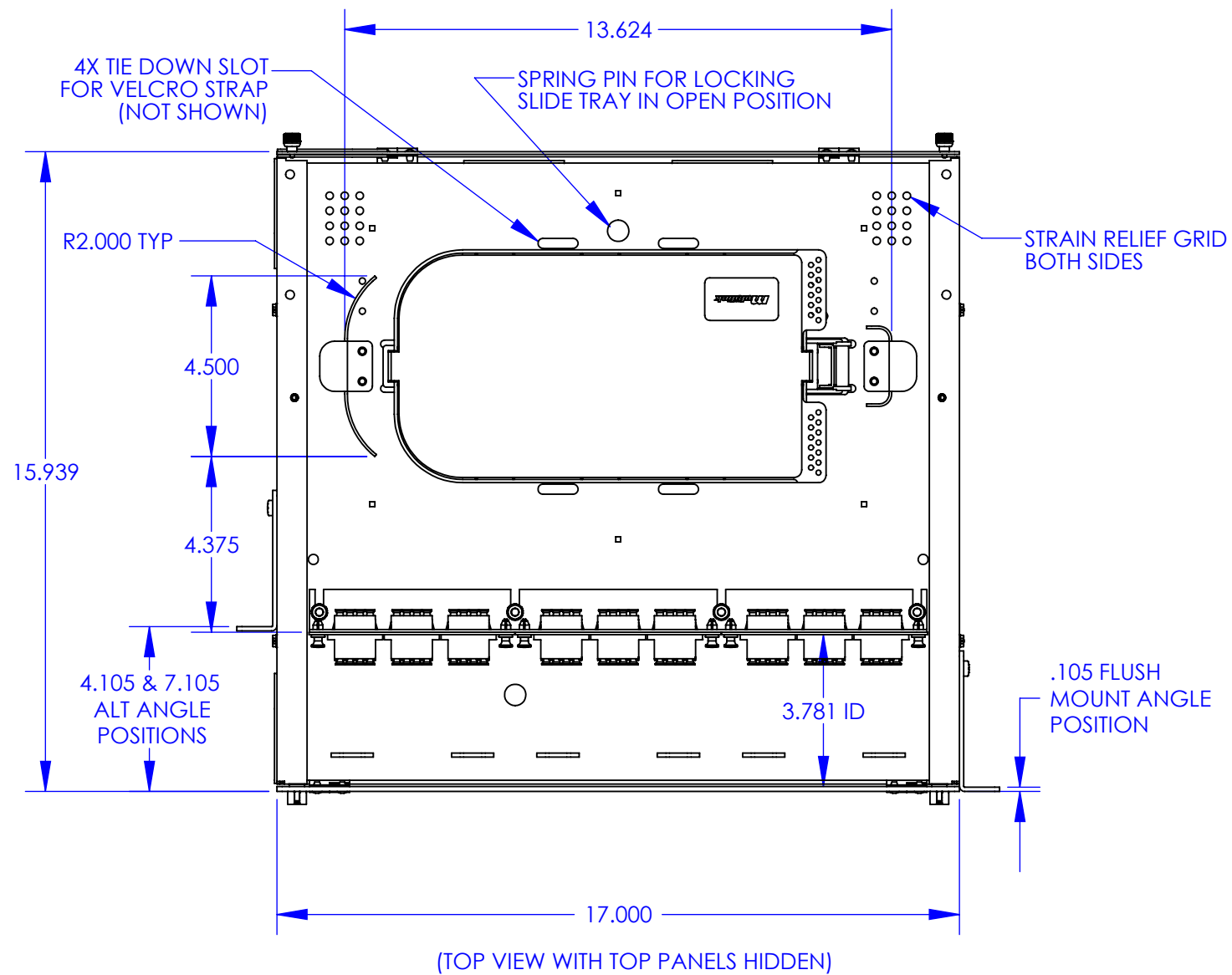


REV.	ECN #	DESCRIPTION OF CHANGE	DATE	BY	MFG ENG
01	N/A	INITIAL RELEASE	04/15/10	SAB	
05	N/A	UPDATED DRAWING	07/06/12	SAB	
06	2798	UPDATE REV FOR PAINT/PEM SPLIT	09/28/12	SAB	



- NOTES:
1. SPLICE TRAYS AND ADAPTER PANELS SHOWN FOR REFERENCE ONLY.
 2. ALSO AVAILABLE IN OFF-WHITE P/N 045-382-11.
 3. MOUNTING ANGLES ARE CONFIGURABLE FOR 19 OR 23 INCH RACK, 19 INCH SHOWN.

UNLESS OTHERWISE SPECIFIED DIMENSIONS ARE IN INCHES TOLERANCES ARE:
 FRACTIONS: DECIMALS: ANGLES:
 ±1/32 .XX=±.03 ° ±1°
 .XXX=±.010
 ALL FLATS TO BE ±.005
NO SHARP EDGES OR BURRS ALLOWED
 MATERIAL: SEE B.O.M.
 FINISH: BLACK TEXTURED
 DO NOT SCALE DRAWING

THIS DOCUMENT AND THE INFORMATION CONTAINED THEREIN ARE CONFIDENTIAL & PROPRIETARY TO MULTILINK AND MAY NOT BE COPIED OR DISCLOSED TO OTHERS WITHOUT A WRITTEN CONSENT FROM MULTILINK. THE INFORMATION IS TO BE PROMPTLY RETURNED TO MULTILINK UPON REQUEST.

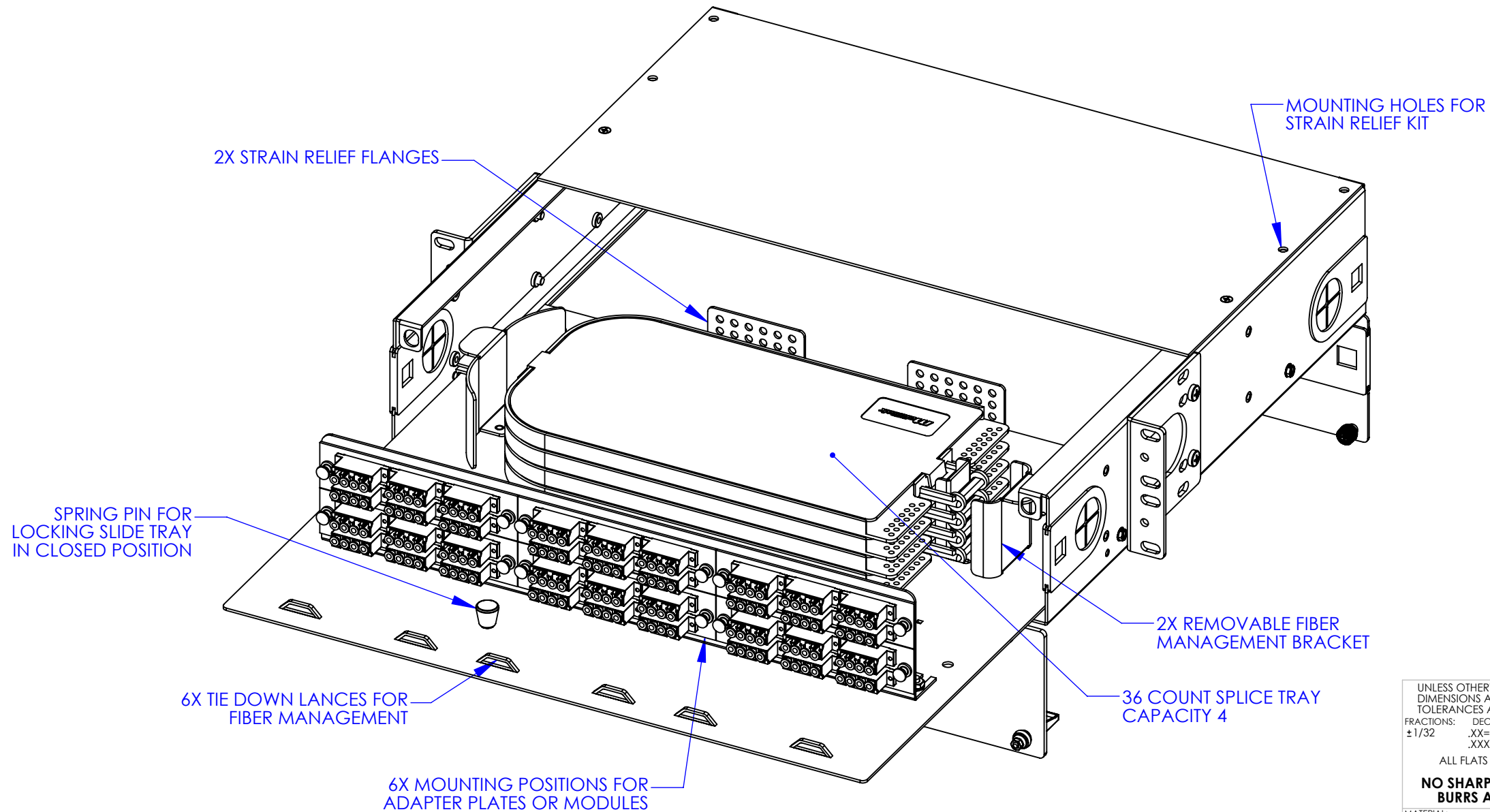
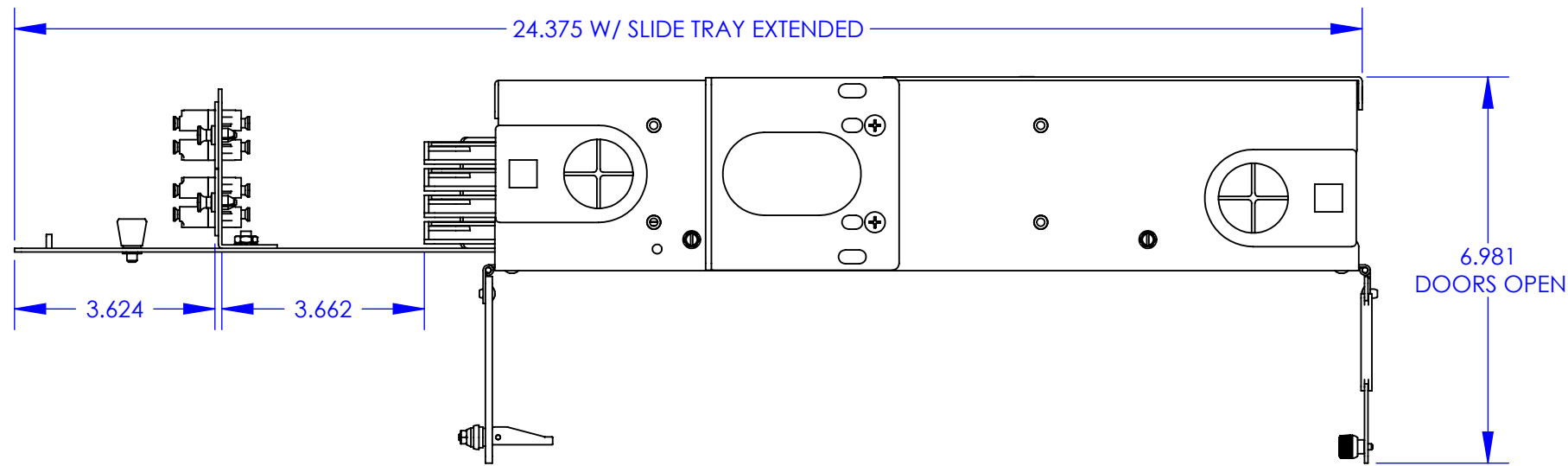
DRAWN BY: SAB DATE: 04/15/2010
 CHECKED: DATE:
 MFG ENG: DATE:
 QUALITY ENG: DATE:

Multilink

FRM-2RU-6X-TS-HD BK

SIZE **B** DWG. NO. 045-382-10REF REV. 06
 SCALE: 1:4 CAD FILE: 045-382-10REF SHEET: 1 OF 2

REV.	ECN #	DESCRIPTION OF CHANGE	DATE	BY	MFG ENG
01	N/A	INITIAL RELEASE	04/15/10	SAB	
05	N/A	UPDATED DRAWING	07/06/12	SAB	
06	2798	UPDATE REV FOR PAINT/PEM SPLIT	09/28/12	SAB	



- NOTES:
 1. SPLICE TRAYS AND ADAPTER PANELS SHOWN FOR REFERENCE ONLY.
 2. ALSO AVAILABLE IN OFF-WHITE P/N 045-382-11.

UNLESS OTHERWISE SPECIFIED DIMENSIONS ARE IN INCHES TOLERANCES ARE: FRACTIONS: ±1/32 DECIMALS: .XX=±.03 ANGLES: ±1° .XXX=±.010 ALL FLATS TO BE ±.005		THIS DOCUMENT AND THE INFORMATION CONTAINED THEREIN ARE CONFIDENTIAL & PROPRIETARY TO MULTILINK AND MAY NOT BE COPIED OR DISCLOSED TO OTHERS WITHOUT A WRITTEN CONSENT FROM MULTILINK. THE INFORMATION IS TO BE PROMPTLY RETURNED TO MULTILINK UPON REQUEST. DRAWN BY: SAB DATE: 04/15/2010 CHECKED: DATE: MFG ENG: DATE: QUALITY ENG: DATE:	
NO SHARP EDGES OR BURRS ALLOWED MATERIAL: SEE B.O.M. FINISH: BLACK TEXTURED DO NOT SCALE DRAWING			