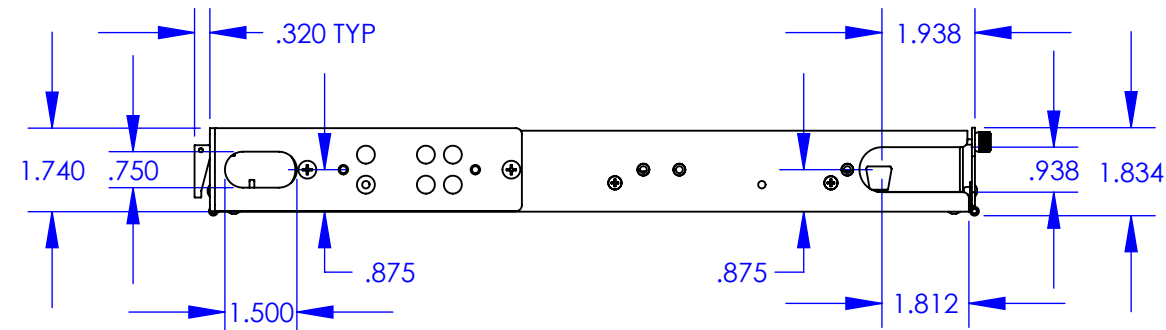
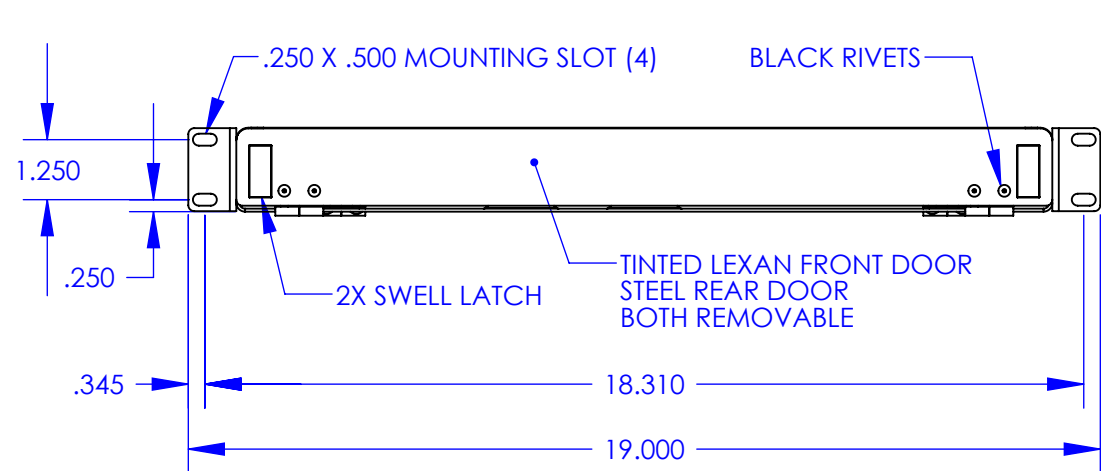
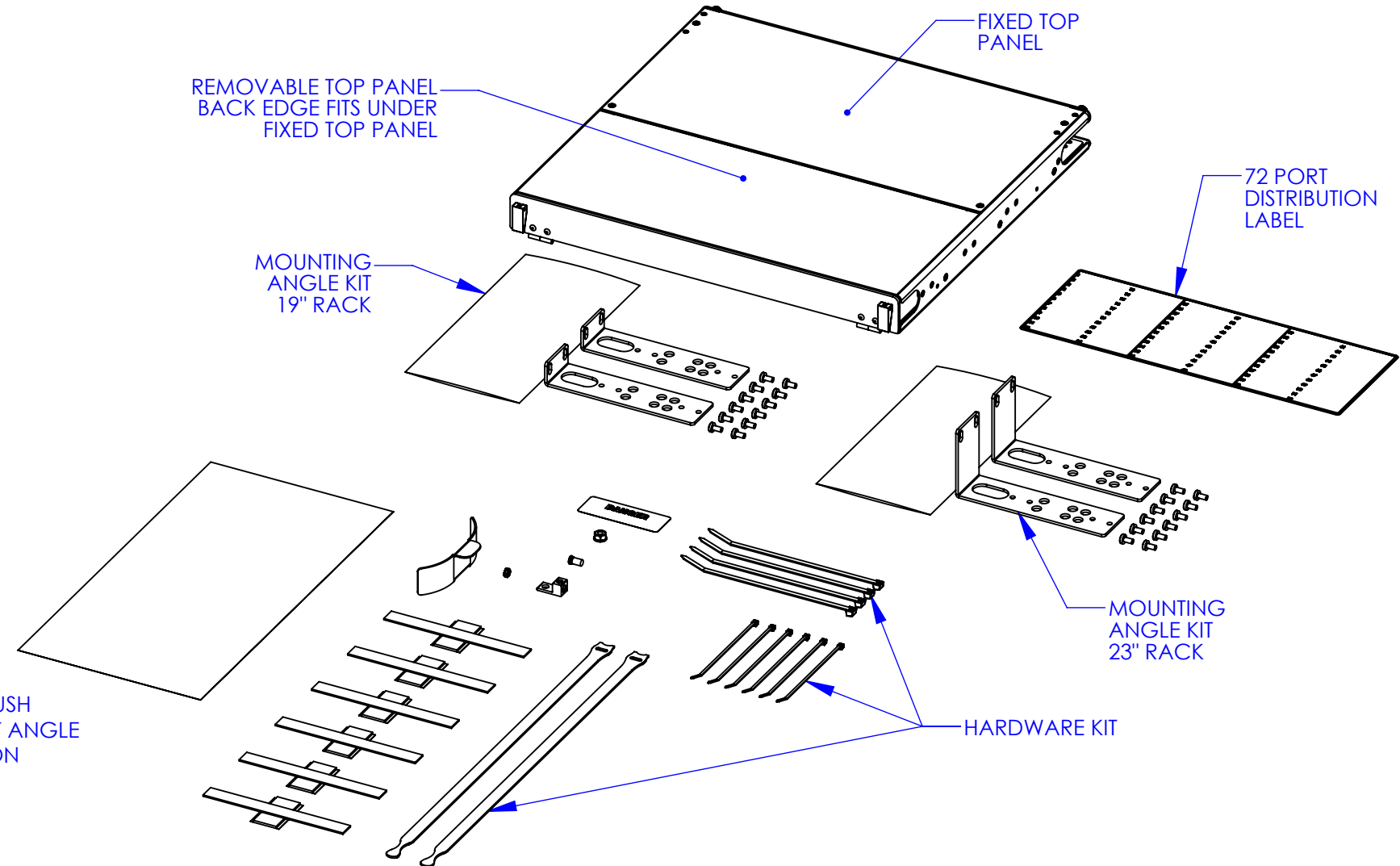
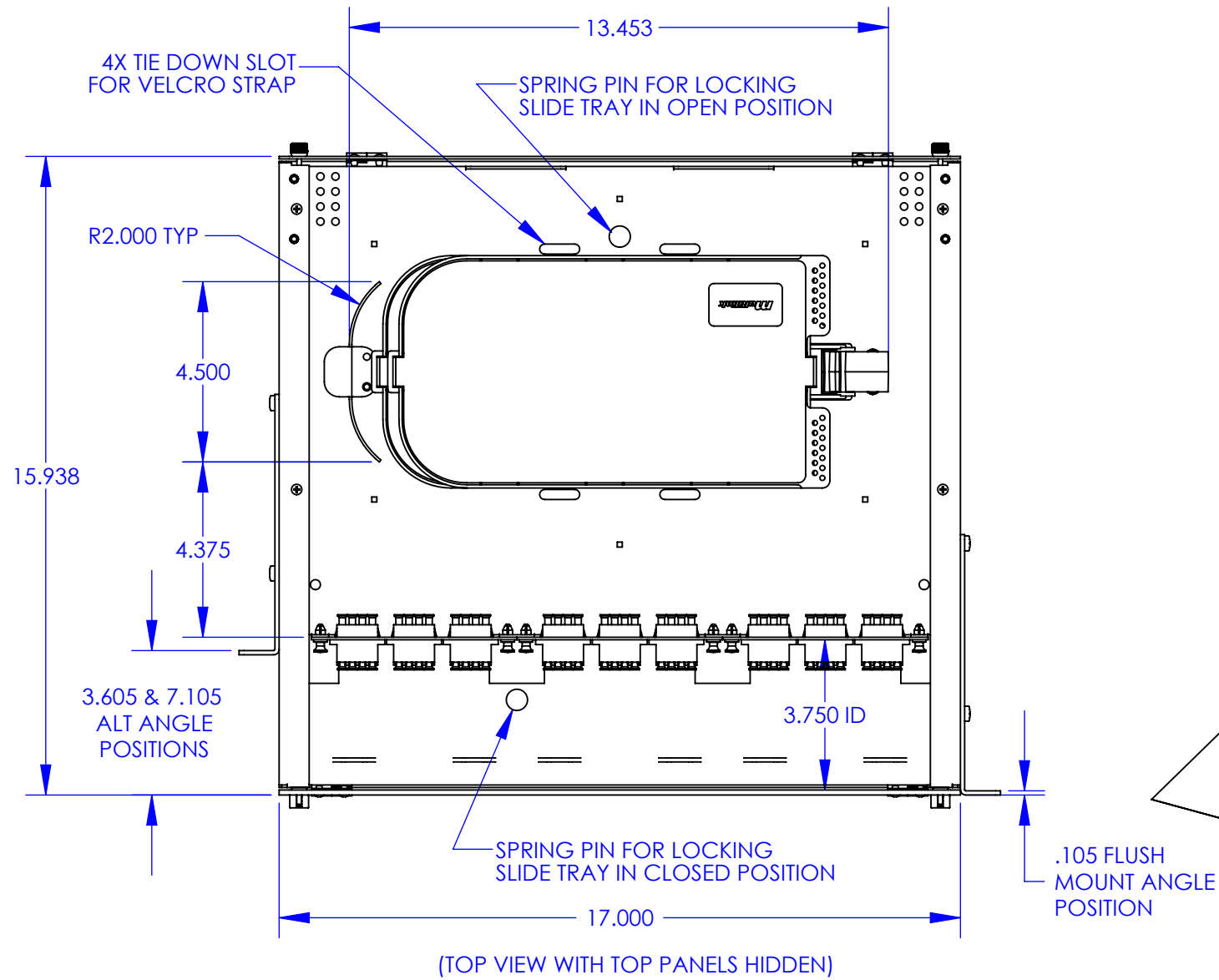


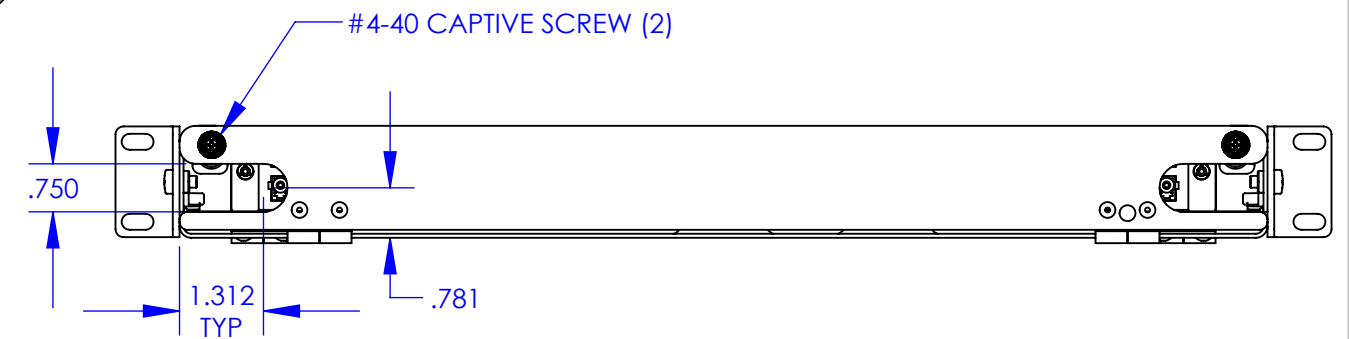
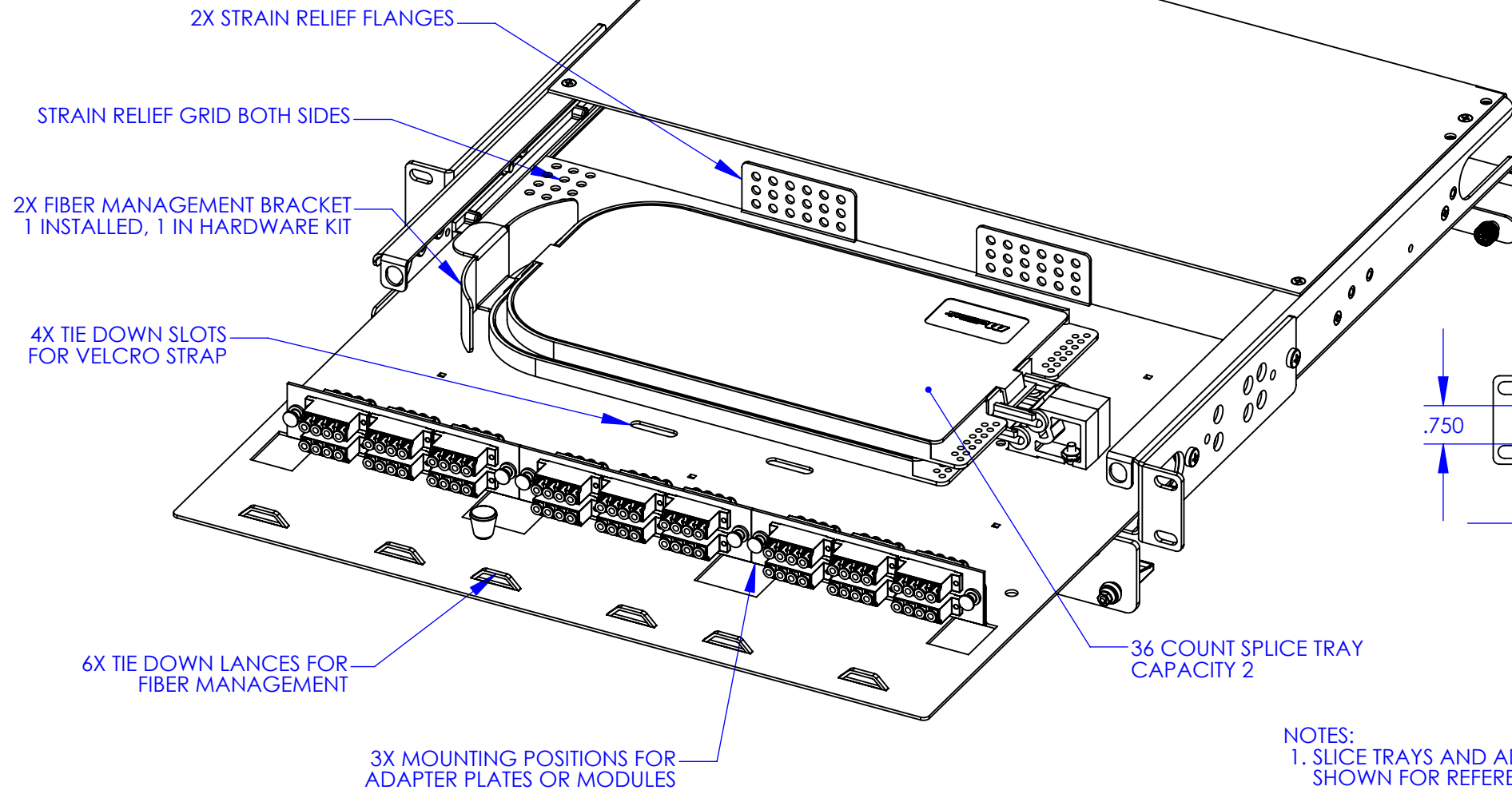
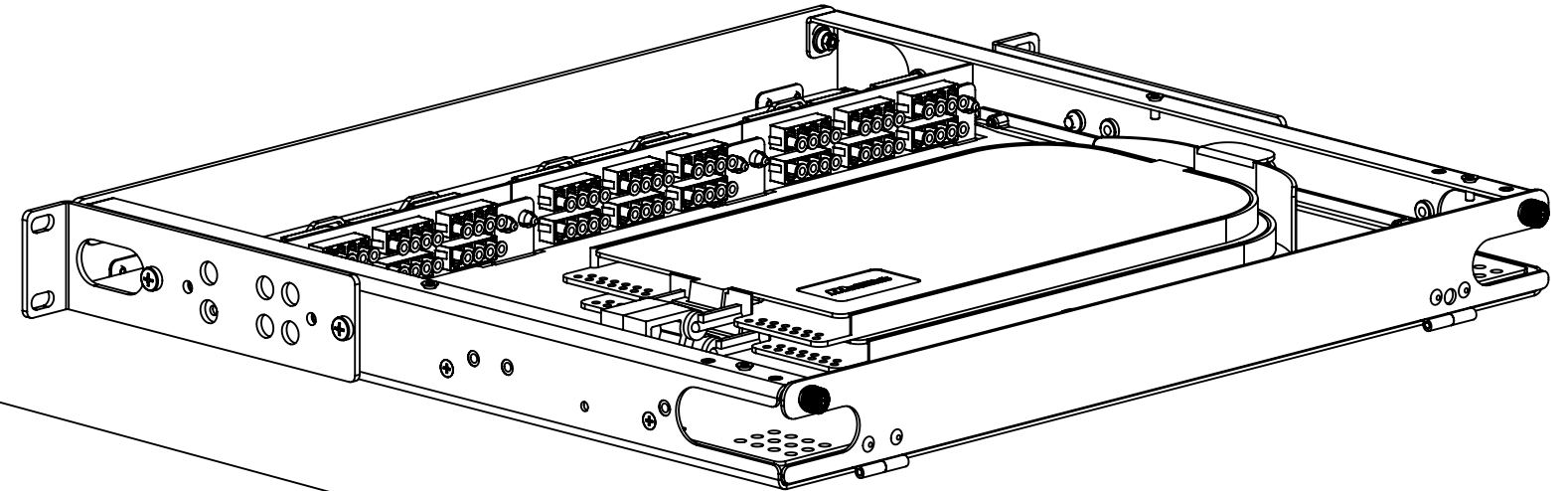
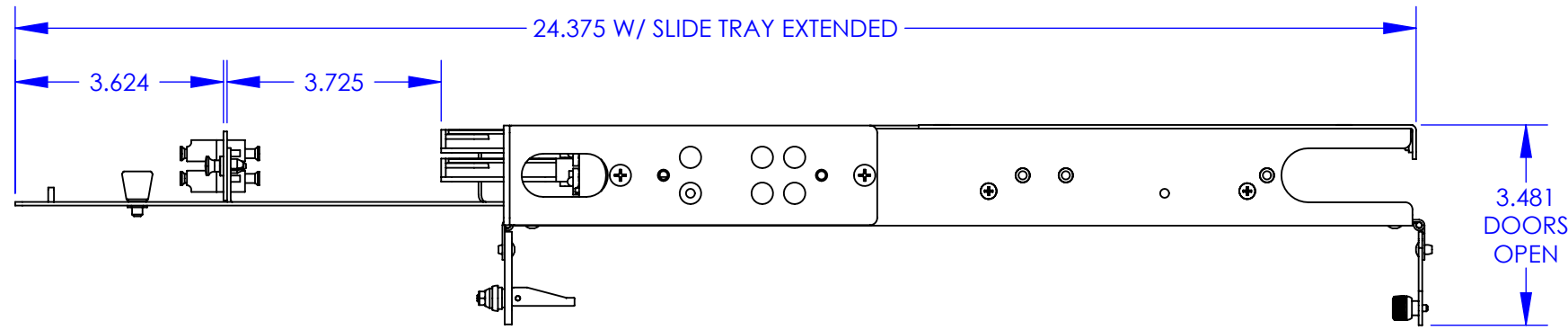
REV.	ECN #	DESCRIPTION OF CHANGE	DATE	BY	MFG ENG
01	N/A	INITIAL RELEASE	12/01/09	SAB	
02	1993	UPDATED	03/03/10	SAB	
02	N/A	ADD OPENINGS TO REAR DOOR	04/02/10	SAB	
09	N/A	UPDATE DRAWING	07/06/12	SAB	



NOTES:
 1. SLICE TRAYS AND ADAPTER PANELS SHOWN FOR REFERENCE ONLY.
 2. ALSO AVAILABLE IN OFF-WHITE P/N 045-339-11.

UNLESS OTHERWISE SPECIFIED DIMENSIONS ARE IN INCHES TOLERANCES ARE: FRACTIONS: ±1/32 DECIMALS: .XX=±.03 ANGLES: ±1° .XXX=±.010 ALL FLATS TO BE ±.005		THIS DOCUMENT AND THE INFORMATION CONTAINED THEREIN ARE CONFIDENTIAL & PROPRIETARY TO MULTILINK AND MAY NOT BE COPIED OR DISCLOSED TO OTHERS WITHOUT A WRITTEN CONSENT FROM MULTILINK. THE INFORMATION IS TO BE PROMPTLY RETURNED TO MULTILINK UPON REQUEST.	Multilink	
NO SHARP EDGES OR BURRS ALLOWED			FRM-1RU-3X-TS-HD BK ASSY	
MATERIAL: SEE B.O.M.	FINISH: BLACK TEXTURED	DRAWN BY: SAB	DATE: 12/01/2009	REV. 09
DO NOT SCALE DRAWING		CHECKED:	DATE:	SCALE: 1:4
		MFG ENG:	DATE:	CAD FILE: 045-339-10REF
		QUALITY ENG:	DATE:	SHEET: 1 OF 2

REV.	ECN #	DESCRIPTION OF CHANGE	DATE	BY	MFG ENG
01	N/A	INITIAL RELEASE	12/01/09	SAB	
02	1993	UPDATED	03/03/10	SAB	
02	N/A	ADD OPENINGS TO REAR DOOR	04/02/10	SAB	
09	N/A	UPDATE DRAWING	07/06/12	SAB	



REAR VIEW WITH REAR DOOR OPENINGS

NOTES:
 1. SLICE TRAYS AND ADAPTER PANELS SHOWN FOR REFERENCE ONLY.
 2. ALSO AVAILABLE IN OFF-WHITE P/N 045-339-11.

UNLESS OTHERWISE SPECIFIED DIMENSIONS ARE IN INCHES
 TOLERANCES ARE:
 FRACTIONS: DECIMALS: ANGLES:
 ±1/32 .XX±.03 ±1°
 .XXX±.010
 ALL FLATS TO BE ±.005
NO SHARP EDGES OR BURRS ALLOWED
 MATERIAL: SEE B.O.M.
 FINISH: BLACK TEXTURED
 DO NOT SCALE DRAWING

THIS DOCUMENT AND THE INFORMATION CONTAINED THEREIN ARE CONFIDENTIAL & PROPRIETARY TO MULTILINK AND MAY NOT BE COPIED OR DISCLOSED TO OTHERS WITHOUT A WRITTEN CONSENT FROM MULTILINK. THE INFORMATION IS TO BE PROMPTLY RETURNED TO MULTILINK UPON REQUEST.
 DRAWN BY: SAB DATE: 12/01/2009
 CHECKED: DATE:
 MFG ENG: DATE:
 QUALITY ENG: DATE:

Multilink

FRM-1RU-3X-TS-HD BK ASSY

SIZE B DWG. NO. 045-339-10REF REV. 09
 SCALE: 1:3 CAD FILE: 045-339-10REF SHEET: 2 OF 2